



## SF-250H, 500H & 1000H FLAKE ICE MAKERS



### SF-250H, 500H & 1000H

- Compact granular ice ideal for use by restaurants, seafood processors, wholesalers and retailers, food service areas, vegetable growers and wholesalers.
- 18/8 grade stainless steel cabinets with integrated food grade polyethylene storage bin
- Available as self-contained air cooled, remote air cooled or water cooled



# SF-250H, 500H & 1000H FLAKE ICE MAKERS

## Specifications

### Power

Voltage – 240-50Hz  
Amps – SF250H 4.8 – SF500H 7.8  
– SF1000H 14.6

### Refrigerant

R404a

### Shipping Dimensions

SF250H 70x54x94cm (93kg)  
SF500H 70x54x94cm (113kg)  
SF1000H 100x77x92cm (195kg)

### Water Supply Requirements

3/4" BSP male stop cock

### Drainage

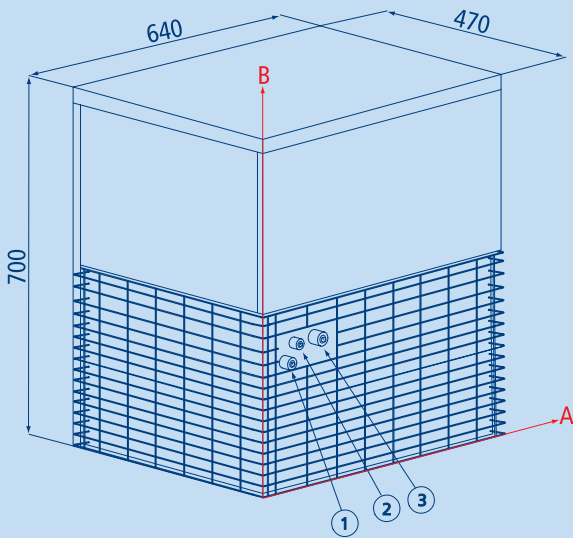
Must be provided

## Ice Making Capacity (kg/24hours)

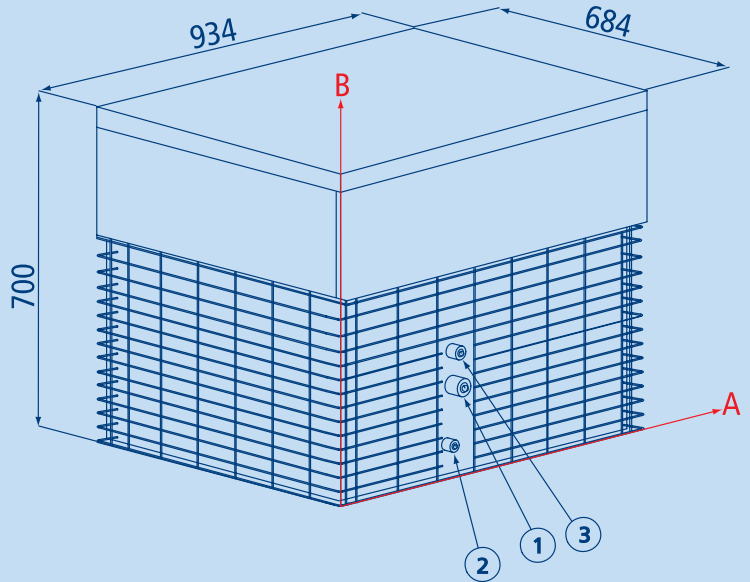
### Production

SF250H	250
SF500H	500
SSC025	1000

	Water In (1)		Drainage (2)		Power In (3)	
	A	B	A	B	A	B
SF250H	116	282	34	228	58	292
SF500H	116	282	34	228	58	292
SF1000H	372	187	337	60	358	257



SF250H & SF500H



SF1000H

Continuing product improvement may necessitate changes of specifications without notice.

### Distributed By

For more information or the name  
of your local sales agent call:

Stuart Manufacturing

1 Jayelem Crescent Padstow NSW 2211

Sales 1300 301 380 • General Enquiries 02 9773 3711

Facsimile 02 9773 4400 • Email [ice@stuman.com.au](mailto:ice@stuman.com.au)

Website [www.stuman.com.au](http://www.stuman.com.au)