



## SCU75 EXTRA SELF CONTAINED ICEMAKER



**The Stuart SCU75 EXTRA** has been developed to perform in Australian summer conditions offering the convenience of an 8g square cube in a self-contained icemaker.

Producing a cube of 22x22x20mm the SCU75 EXTRA provides the perfect ice for all those customers who demand solid ice in a more convenient size.

The SCU75 EXTRA is an addition to the existing SCU range providing daily production capacity of 74kg but now with the larger 36kg storage, ideal for back bar installation.



8g SQUARE CUBE



## SCU75 EXTRA

### Specifications

#### Power Supply

Voltage — 240V-50Hz (10 Amp GPO)

Amps — 4.0

Refrigerant R404a

#### Shipping Dimensions

80 x 77x 94cm (87kg)

#### Water Supply Requirements

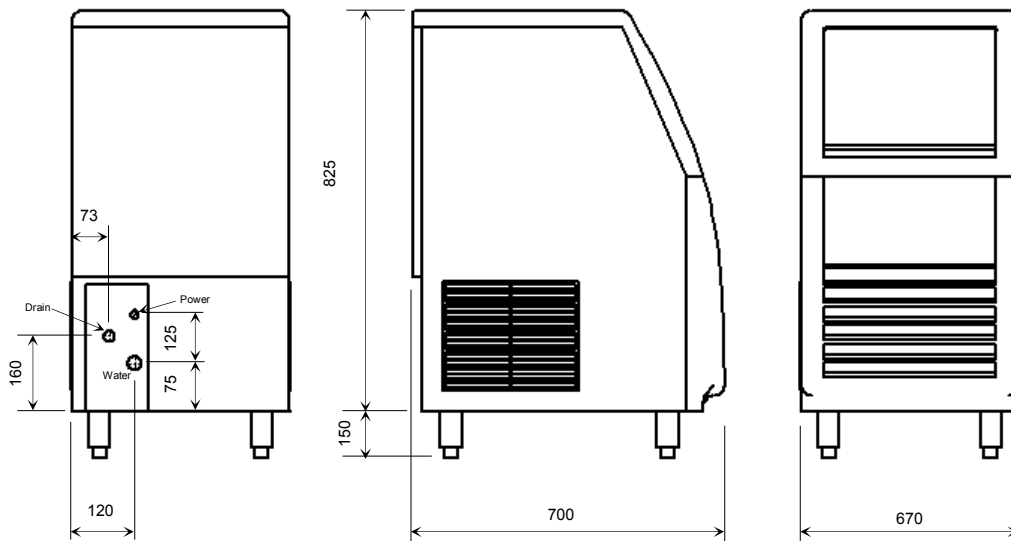
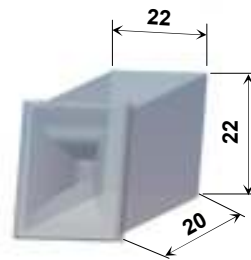
3/4" BSP male stop cock within 1 metre of machine

#### Drainage

Floor waste within 1 metre of machine  
Must be below machine outlet

### Ice Making Capacity (kg/24 hours)

Ambient	21°C	21°C	32°C	38°C	Storage
Water	15°C	21°C	21°C	21°C	Kg
	74	66	53	40	36



For more information  
or the name of your  
local sales agent  
call:

**STUART MANUFACTURING**  
**1 JAYELEM CRESCENT**  
**PADSTOW**  
**NSW 2211**  
**Sales: 1300 301 380**  
**Gen. Enquiries: 02/9773 3711**  
**Fax.: 02/9773 4400**  
**Web site: www.stuman.com.au**

**DISTRIBUTED BY:**