



FI 60, FI 80 & FI 120 FINGER ICE MAKERS



FI 60, FI 80 & FI 120

- 12g finger ice ideal for use by restaurants, hotels, licensed bars, juice bars, take away outlets and health care facilities
- 18/10 grade stainless steel cabinets with integrated food grade polyethylene storage bin
- simple, reliable spray system no paddles



FI 60, FI 80 & FI 120 FINGER ICE MAKERS

Specifications

Power

Voltage – 240-50Hz

Amps – FI 60 3.3 – FI 80 3.6

FI 120 3.9

Refrigerant

R404a

Shipping Details

FI 60 50x60x90cm (53kg)

FI 80 73x60x94cm (63kg)

FI 120 84x60x100cm (88kg)

Water Supply Requirements

3/4" BSP male stop cock

Drainage

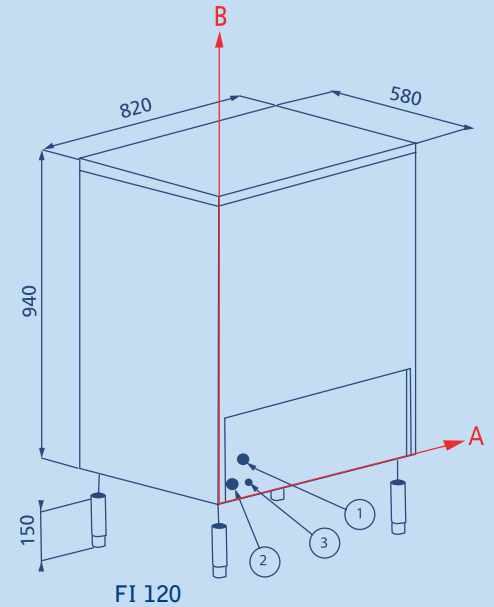
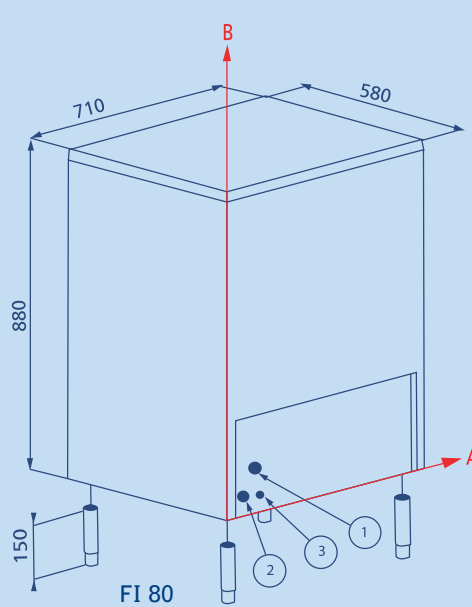
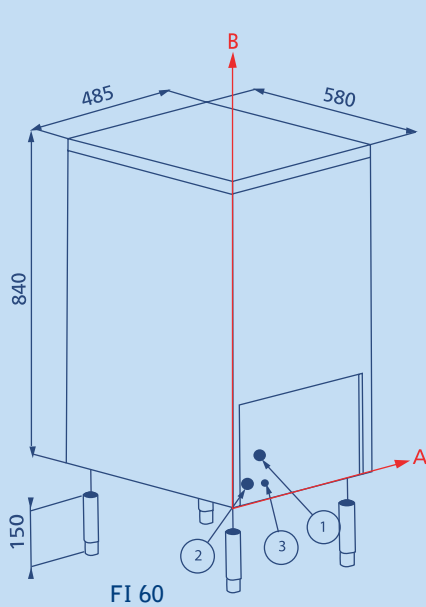
Floor waste within 1 metre of machine

Note! Must be below machine outlet

Ice Making Capacity (kg/24hours)

	Production	Storage*
FI 60	60	25
FI 80	80	40
FI 120	120	50

	Water In (1)		Drainage (2)		Power In (3)	
	A	B	A	B	A	B
FI 60	100	117	55	49	123	41
FI 80	105	117	60	49	128	41
FI 120	105	117	60	49	128	41



*Storage bin capacity will vary depending on ice size
Continuing product improvement may necessitate changes of specifications without notice.

Distributed By

For more information or the name
of your local sales agent call:

Stuart Manufacturing

1 Jaylem Crescent Padstow NSW 2211

Sales 1300 301 380 • General Enquiries 02 9773 3711

Facsimile 02 9773 4400 • Email ice@stuman.com.au

Website www.stuman.com.au