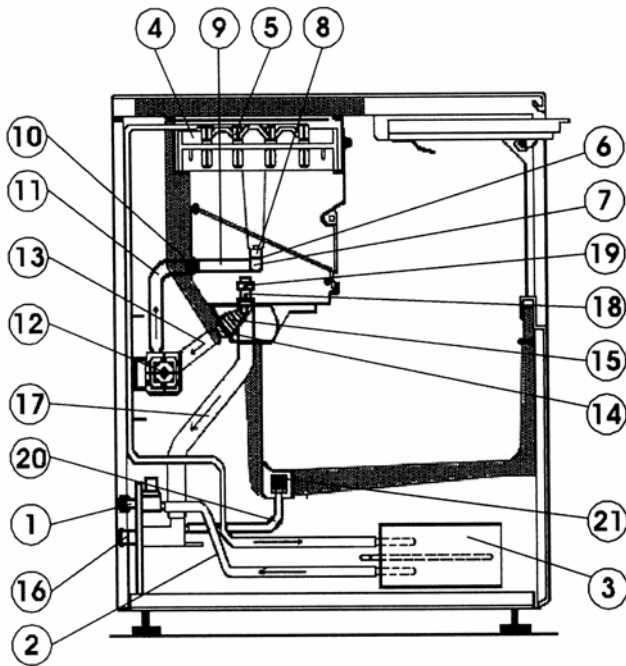
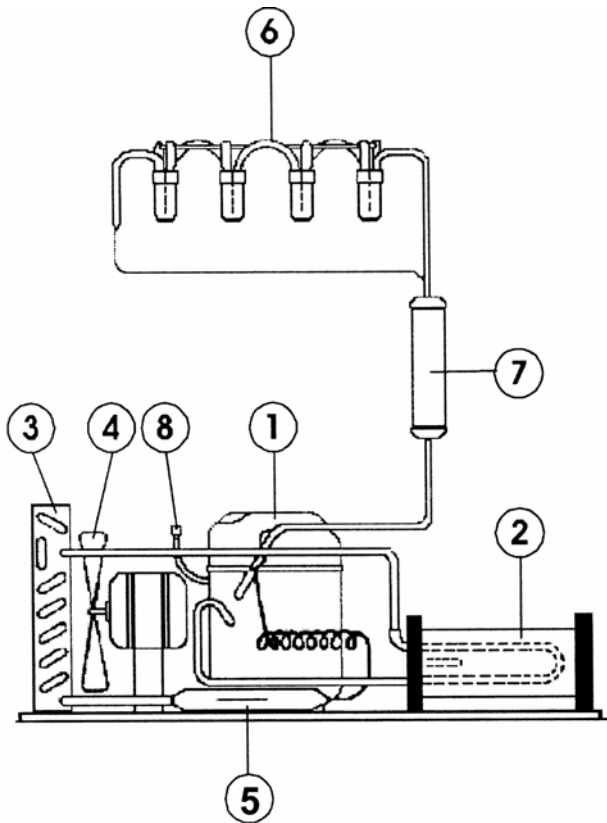


WATER CIRCUIT DIAGRAM



1. Water inlet valve
2. Water inlet pipe
3. Heat exchanger
4. Evaporator gasket
5. Evaporator
6. Water distributor
7. Plug for water distributor
8. Spray jets
9. Distributor inlet hose
10. Water pump outlet pipe
11. Water pump outlet hose
12. Water pump
13. Water pump inlet hose
14. Water pump inlet pipe
15. Pump filter
16. Water drain
17. Overflow drain hose
18. Overflow
19. Overflow cup
20. Bin drain hose
21. Bin drain connecting pipe

REFRIGERATION CIRCUIT DIAGRAM



1. Compressor
2. Heat exchanger
3. Condenser
4. Fan/motor
5. Filter drier
6. Evaporator
7. Accumulator
8. Access valve